

---

Air Operated Drill With Keyless Chuck  
3/8", Angled



### Information

---

- For use when drilling, grinding, polishing to normal and not hard to reach places.
- Infinitely variable speed control by trigger from 0 - 1800 U / min.
- For one hand operation with ergonomic shape.
- Air exhaust through the handle rear.
- Can be used for right-angle cutting of bars.

### Precautions

---

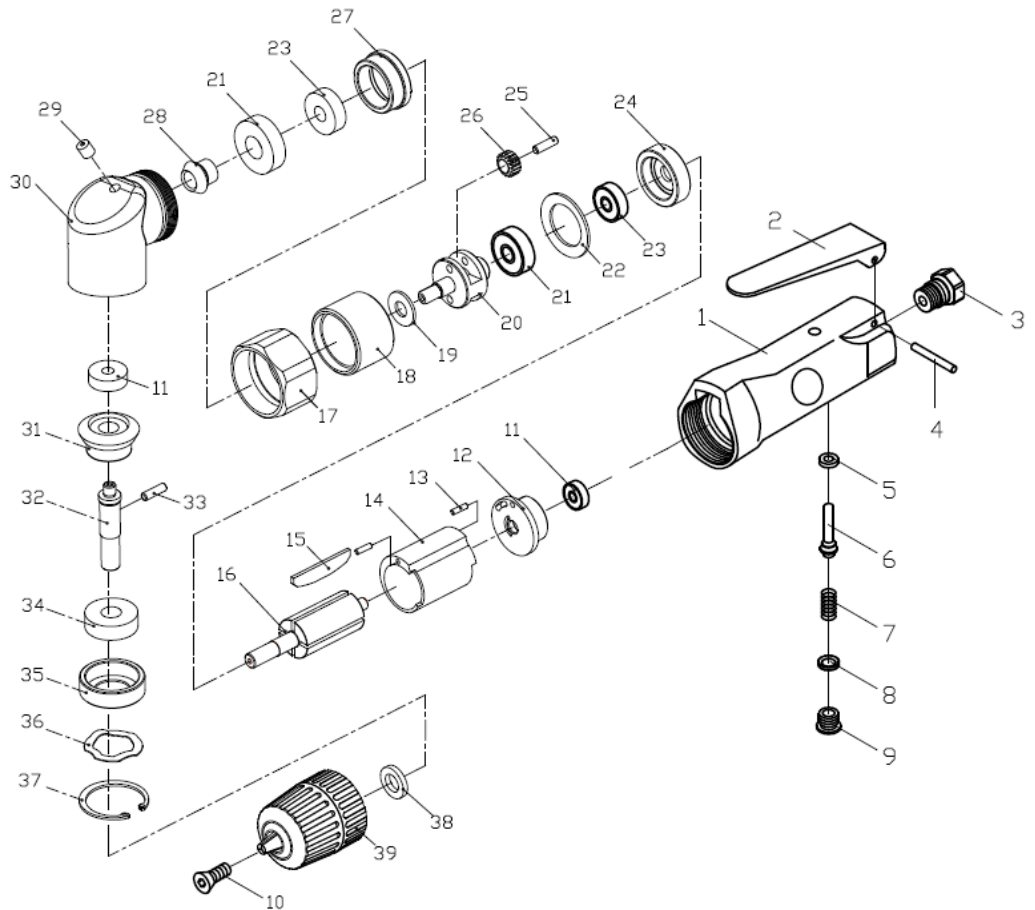
Always wear safety gear.  
Working in a clean and safe environment.  
This task should be carried out by trained personnel.  
Make sure to consult manufacturers manual.  
Do NOT use with air tools.

## Information

- 10mm keyless chuck.
- Drilling in steel up to 10mm.
- Stable head.
- Chuck by 3 triple steel jaws Ø, 8 - 10mm.
- Length of unit: 195mm.
- Height of head type: manual incl chuck: 97mm.

- Speed, continuously adjustable: 0 - 1800 u/ min.
- Recommended hose diameter: 3/8".
- Working pressure: 6, 3 bar (90psi).
- Noise declared value LWA: 95 dB.
- Weight: 960 g.
- Air consumption: l / min: 113.

No.	Item	Pcs
1	Housing	1
2	Trigger	1
3	Inlet Bushing	1
4	Spring Pin	1
5	O-Ring	1
6	Throttle Valve	1
7	Spring Valve	1
8	O-Ring	1
9	Screw	1
10	Screw	1
11	Bearing	2
12	Rear end-plate	1
13	Spring Pin	2
14	Cylinder	1
15	Blade/Vane	4
16	Rotor	1
17	Clamp Nut	1
18	Internal Gear	1
19	Washer	1
20	Synchro Shaft	1
21	Bearing	2
22	Exhaust Deflector	1
23	Bearing	2
24	Front End-Plate	1
25	Gear Pin	2
26	Idler Gear	2
27	Adapter	1
28	Actuated Tapered Gear	1



29	Grease Valve	1
30	L-Fitting	1
31	Drive Bevel Gear	1
32	Drive Shaft	1
33	Screw	1
34	Bearing	1

35	Cover	1
36	Corrugated Washer	1
37	Retainer Ring	1
38	Washer	1
39	Collet [keyless]	1

## Warranty

If you are unsure on how to use the item please contact us. If it were to fail due to a manufacturing fault or poor workmanship we will repair or replace it. Please contact your local dealer in the event you need to send the item back. You can also make a repair/replacement request on our website and download & complete the form online. Normal wear and tear along with misuse will void any warranty. Consumables are not covered under warranty.

[www.welzh.com](http://www.welzh.com)

Limited **12 month** warranty



Welzh Werkzeug Ltd  
Loanwath Road  
Gretna, Scotland  
DG16 5HD  
+44 (0)1461 700120