

UNIVERSAL BRAKE ADAPTOR



Information

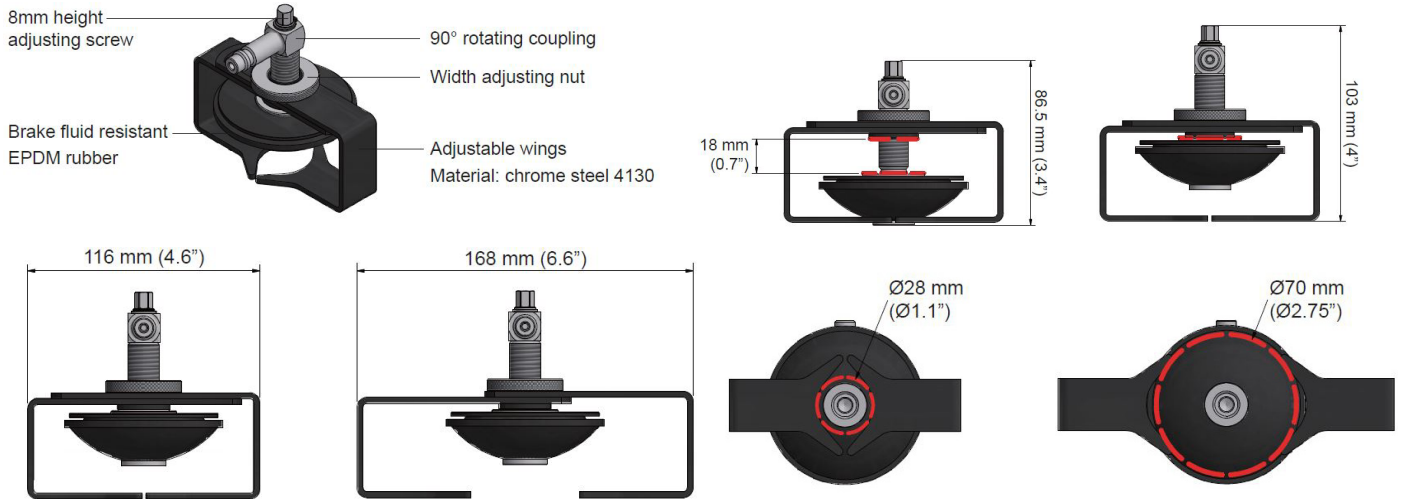
- Brake refilling adapter with a 90° rotating coupling fits almost all vehicles on the market.
- Fits master cylinder fill neck between $\varnothing 28-70\text{mm}$ (1.10"-2.75")
- Max Pressure up to 3.5 bar (50psi)
- Compatible with: Can be used with part numbers 1182-ww,4182-ww and 4083-ww.

Precautions

Always wear safety gear.
Working in a clean and safe environment.
This task should be carried out by trained personnel.
Make sure to consult manufacturers manual.
Do NOT use with air tools.

Features

- Brake refilling adapter with a 90° rotating coupling fits almost all vehicles on the market.
- Fits master cylinder fill neck between $\text{Ø}28\text{-}70\text{ mm}$ (1.10"-2.75").
- Maximum pressure up to 3.5 bar (50 psi).



Instructions

Step 1

Unscrew the width adjusting nut in order to adjust the opening of the wings (Fig.1)

Step 2

Adjust the height adjusting the screw to fit the master cylinder filler neck.

Step 3

Ensure the adapter is securely connected to the master cylinder filler neck before connecting the adapter to brake service machines (Fig.2).



Warranty

If you are unsure on how to use the item please contact us. If it were to fail due to a manufacturing fault or poor workmanship we will repair or replace it. Please contact your local dealer in the event you need to send the item back. You can also make a repair/replacement request on our website and download & complete the form online. Normal wear and tear along with misuse will void any warranty. Consumables are not covered under warranty.

www.welzh.com

Limited **12 month** warranty



+44 [0]1461 700120
Welzh House
Greenfield Business Park
Loanwath Road
Gretna, DG16 5HD